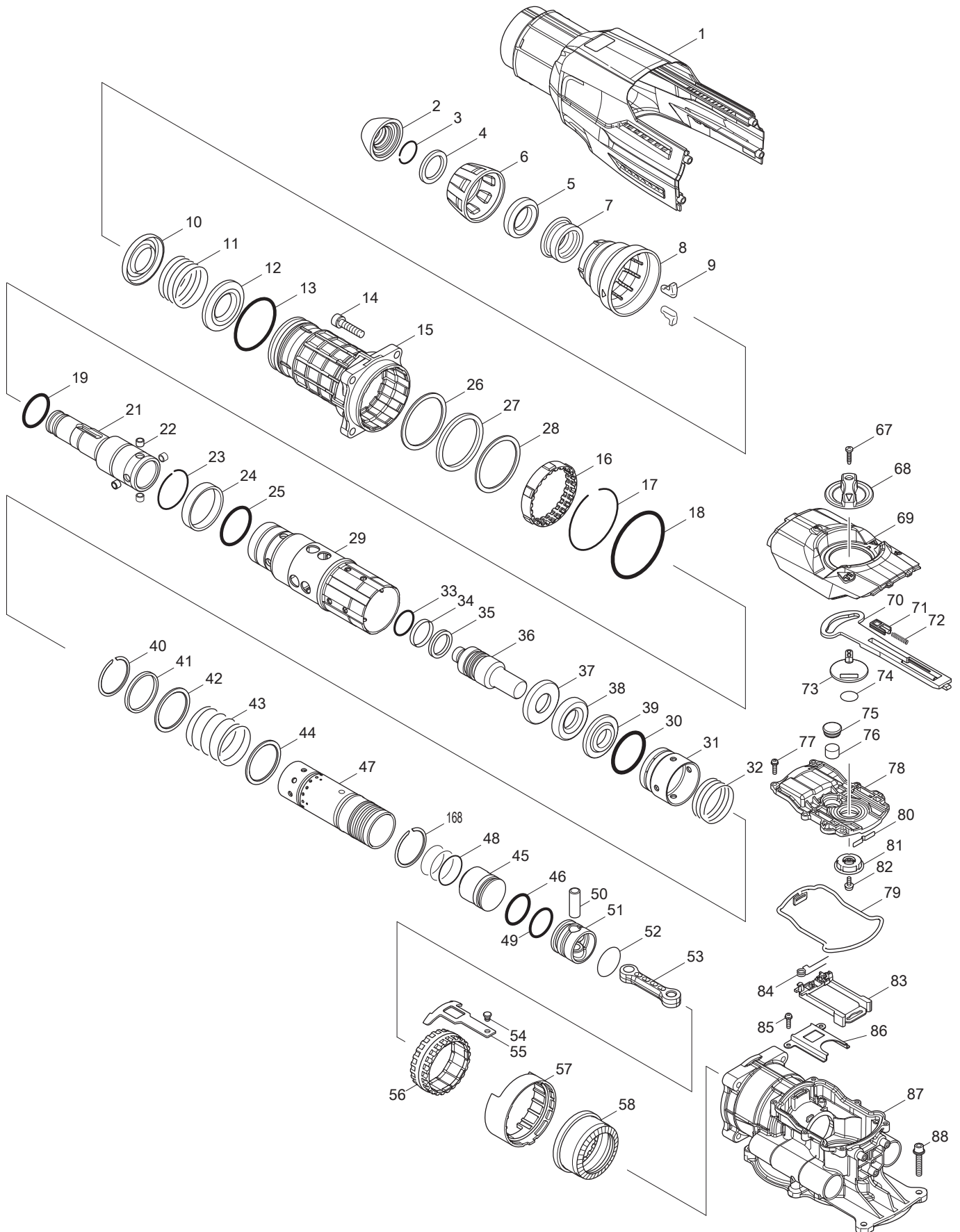
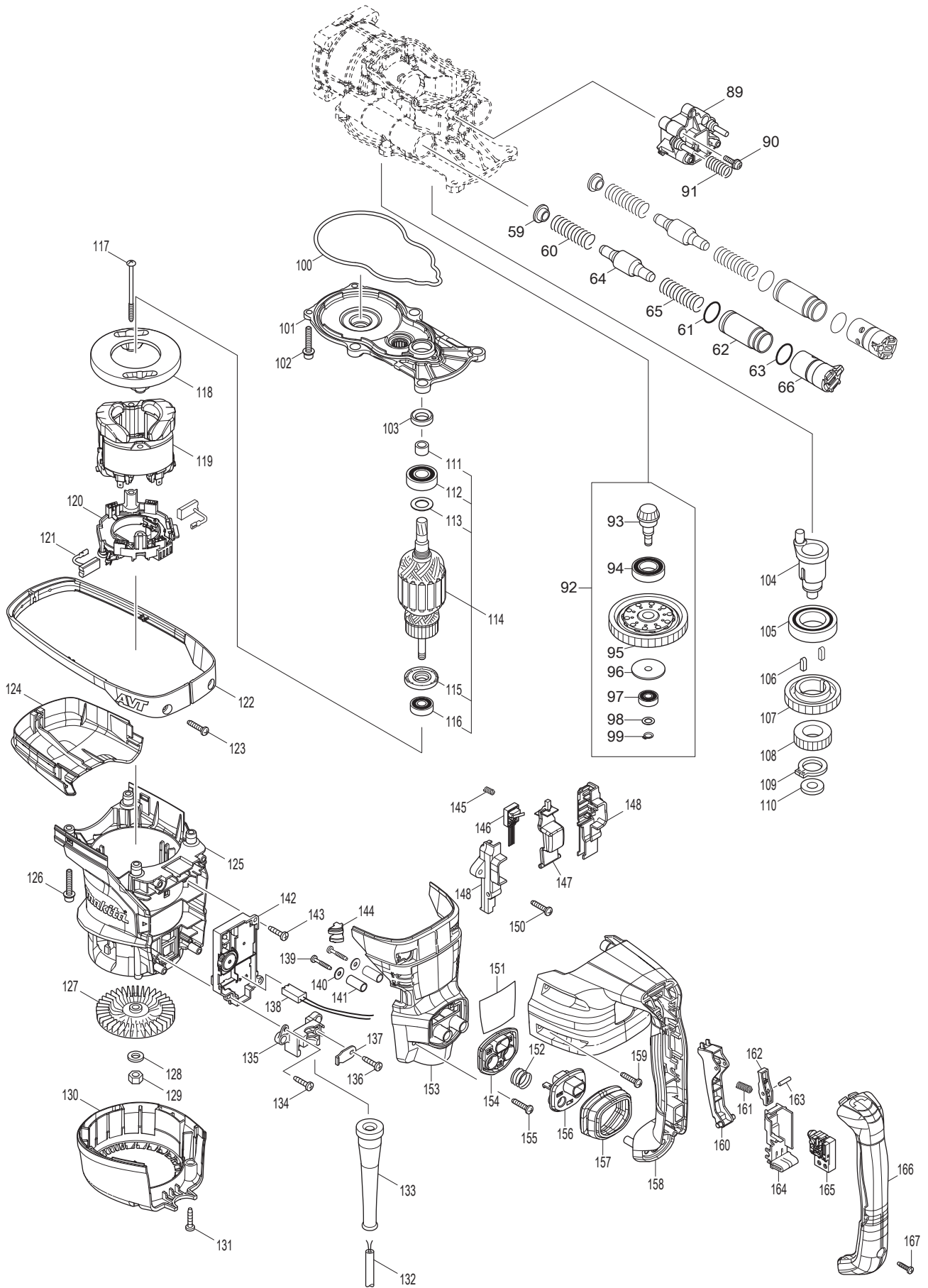




04 - 2014
HR5212C
SDS-MAX 2" ROTARY HAMMER





Item No.	Sub	Ref	Part No.	Description	Qty	Unit
001			142411-4	HOUSING COVER A COMPLETE	1	PC.
		INC.	810100-6	CAUTION LABEL	1	PC.
002			286292-7	TOOL HOLDER CAP	1	PC.
003			233948-3	RING SPRING 25	1	PC.
004			257367-9	RING 28	1	PC.
005			262172-1	RUBBER RING 29	1	PC.
006			454767-6	CHUCK COVER	1	PC.
007			324752-2	CHUCK RING	1	PC.
008			454768-4	RELEASE COVER	1	PC.
009			310178-4	TOOL RETAINER	2	PC.
010			346751-4	SPRING GUIDE	1	PC.
011			234317-1	COMPRESSION SPRING 49	1	PC.
012			346751-4	SPRING GUIDE	1	PC.
013	2		213664-3	O-RING 60	1	PC.
014			922456-6	HEX. SOCKET HEAD BOLT M8X35	4	PC.
015			142408-3	BARREL COMPLETE	1	PC.
		INC.	213663-5	O RING 55	1	PC.
		INC.	213778-8	OIL SEAL 42	1	PC.
		INC.	214603-6	PLANE BEARING 49	1	PC.
		INC.	259056-2	RING SPRING 54	1	PC.
016			454769-2	LOCK SLEEVE	1	PC.
017			259057-0	RING SPRING 74	1	PC.
018			213766-5	O-RING 78	1	PC.
019			213789-3	O-RING 38	1	PC.
021			326361-3	TOOL HOLDER A	1	PC.
022			268308-0	PIN 9	4	PC.
023			231989-3	RING SPRING 46	1	PC.
024			257353-0	RING 49	1	PC.
025			213779-6	O-RING 45	1	PC.
026			267477-4	FLAT WASHER 60	1	PC.
027			262171-3	RUBBER RING 60	1	PC.
028			267477-4	FLAT WASHER 60	1	PC.
029			326362-1	TOOL HOLDER B	1	PC.
030			213783-5	O-RING 48	1	PC.
031			454761-8	SLIDE SLEEVE	1	PC.
032			234318-9	COMPRESSION SPRING 45	1	PC.
033	2		213811-6	* O-RING 26.5	3	PC.
034	2		213780-1	* FLUORO CARBON RESIN RING 32.5	3	PC.
035			213776-2	* X-RING 26 (No longer used with Type 2)	1	PC.
036	1		326374-4	* IMPACT BOLT	1	PC.
	2		327245-8	* IMPACT BOLT	1	PC.
037			257354-8	RING 23	1	PC.
038			262173-9	RUBBER RING 24	1	PC.
039			267856-6	SHOULDER WASHER 23	1	PC.
040			257994-2	RETAINING RING(EXT)WR-44	1	PC.
041			257355-6	RING 44	1	PC.
042			267478-2	FLAT WASHER 44	1	PC.
043			234319-7	COMPRESSION SPRING 46	1	PC.
044			267478-2	FLAT WASHER 44	1	PC.
045			326377-8	STRIKER	1	PC.
046			213781-9	O-RING 33	1	PC.
047			332093-2	CYLINDER 40	1	PC.
048			213460-9	O RING 35	3	PC.
049			213782-7	O-RING 30	1	PC.
050			257820-5	SLEEVE 9	1	PC.
051	2		312A68-3	PISTON	1	PC.
052			213460-9	O RING 35	1	PC.
053			454765-0	CONNECTING ROD	1	PC.

Item No.	Sub	Ref	Part No.	Description	Qty	Unit
054			256548-2	FLAT FILLISTER HEAD PIN 6	1	PC.
055			346749-1	LINK PLATE	1	PC.
056			313272-1	DRIVING SLEEVE	1	PC.
057			454779-9	GUIDE RING	1	PC.
058			227625-7	SPIRAL BEVEL GEAR 33	1	PC.
059			454774-9	SPRING PLATE	2	PC.
060			233497-0	COMPRESSION SPRING 15	2	PC.
061			213953-6	O RING 24	2	PC.
063			213953-6	O RING 24	2	PC.
064			326375-2	COUNTER WEIGHT	2	PC.
065			233497-0	COMPRESSION SPRING 15	2	PC.
066	2		141E52-3	* HOLDER COMPLETE	2	PC.
067			265995-6	TAPPING SCREW 4X18	1	PC.
068			454326-6	CHANGE LEVER	1	PC.
069			319082-4	CRANK CAP COVER	1	PC.
070			454770-7	CONTROL PLATE	1	PC.
071			454771-5	SLIDE PLATE	1	PC.
072			234284-0	COMPRESSION SPRING 4	1	PC.
073			454345-2	CRANK LEVER	1	PC.
074			213262-3	O RING 18	1	PC.
075			424607-2	FILTER CAP	1	PC.
076			443129-3	FILTER	1	PC.
077			911128-8	PAN HEAD SCREW M4X16	6	PC.
078			454764-2	CRANK CAP	1	PC.
079	2		422787-8	SEAL RING B	1	PC.
080			232280-2	LEAF SPRING	1	PC.
081			454766-8	LINK LEVER	1	PC.
082			911511-9	PAN HEAD SCREW M4X10	1	PC.
083			454778-1	LINK GUIDE	1	PC.
084			233611-8	TORSION SPRING 7	1	PC.
085			911128-8	PAN HEAD SCREW M4X16	2	PC.
086			346748-3	GUIDE RAIL	1	PC.
087	1		142406-7	CRANK HOUSING A COMPLETE	1	PC.
	2		141H07-6	CRANK HOUSING A COMPLETE	1	PC.
088			922359-4	H.S.H.BOLT M6X35 WITH WG	2	PC.
089			454777-3	BASE A	1	PC.
090			911233-1	PAN HEAD SCREW M5X20	3	PC.
091			234320-2	COMPRESSION SPRING 12	2	PC.
092			126476-4	TORQUE LIMITER ASSEMBLY	1	PC.
		INC.		Item No. 93-99		
093			227628-1	SPIRAL BEVEL GEAR 10	1	PC.
094			211323-3	BALL BEARING 6904LLU	1	PC.
095			142410-6	TORQUE LIMITER COMPLETE	1	PC.
096			324727-1	SHOULDER WASHER 8	1	PC.
097			210005-4	BALL BEARING 608DDW	1	PC.
098			253215-0	FLAT WASHER 8	1	PC.
099			961004-6	RETAINING RING S-8	1	PC.
100	2		422786-0	SEAL RING A	1	PC.
101			142409-1	GEAR HOUSING COMPLETE	1	PC.
102			922359-4	H.S.H.BOLT M6X35 WITH WG	2	PC.
103			213231-4	OIL SEAL 15	1	PC.
104	2		327142-8	CRANK SHAFT	1	PC.
105			211418-2	BALL BEARING 6006LLU	1	PC.
106			254229-2	KEY 5	2	PC.
107			227788-9	HELICAL GEAR 46	1	PC.
108			227336-4	SPUR GEAR 26	1	PC.
109			961102-6	RETAINING RING S-22	1	PC.
110			253843-1	FLAT WASHER 12	1	PC.

Item No.	Sub	Ref	Part No.	Description	Qty	Unit
111			331596-3	SLEEVE 12	1	PC.
112			211238-4	BALL BEARING 6202LLU	1	PC.
113			267215-4	FLAT WASHER 15	1	PC.
114			517896-7	ARMATURE ASS'Y 115V	1	PC.
		INC.		Item No. 111-113,115,116		
115			681642-5	INSULATION WASHER	1	PC.
116			210059-1	BALL BEARING 6000DDW	1	PC.
117			266568-8	TAPPING SCREW 5X80	2	PC.
118			454772-3	BAFFLE PLATE	1	PC.
119			636301-6	FIELD 115V	1	PC.
120			632B59-7	BRUSH HOLDER UNIT	1	PC.
121			195845-0	CARBON BRUSH CB-175 2PCS/SET, W/ORIGIN	1	SET
122			454780-4	GUARD 52	1	PC.
123			266041-8	TAPPING SCREW 5X25	2	PC.
124			454763-4	GEAR HOUSING COVER	1	PC.
125			454757-9	MOTOR HOUSING	1	PC.
126			922359-4	H.S.H.BOLT M6X35 WITH WG	2	PC.
127			240016-5	FAN 90	1	PC.
128			253165-9	FLAT WASHER 8	1	PC.
129			252178-7	HEX. NUT M8-12	1	PC.
130			454762-6	REAR COVER	1	PC.
131			266041-8	TAPPING SCREW 5X25	2	PC.
132			664471-1	CORD W/PLUG 2P-14-5.0M, SJ	1	PC.
133			682560-0	CORD GUARD 10	1	PC.
134			265995-6	TAPPING SCREW 4X18	1	PC.
135			419024-9	CORD CLAMP BASE	1	PC.
136			265995-6	TAPPING SCREW 4X18	1	PC.
137			687169-3	STRAIN RELIEF	1	PC.
138			632C15-3	LEAD UNIT	1	PC.
139			266041-8	TAPPING SCREW 5X25	2	PC.
140			253194-2	FLAT WASHER 5	2	PC.
141			257813-2	SLEEVE 9	2	PC.
142			620250-7	CONTROLLER	1	PC.
143			265995-6	TAPPING SCREW 4X18	1	PC.
144			454346-0	LENS	1	PC.
145			234281-6	COMPRESSION SPRING 6	1	PC.
146			632A83-4	SWITCH UNIT	1	PC.
147			454336-3	SWITCH LEVER C	1	PC.
148			187890-9	SWITCH CASE SET	1	SET
150			266041-8	TAPPING SCREW 5X25	2	PC.
151			815W21-5	NAME PLATE F/HR5212C	1	PC.
152			234283-2	COMPRESSION SPRING 18.5	2	PC.
153			454758-7	HANDLE BASE	1	PC.
154			454343-6	DUST SUPPORT A	1	PC.
155			266041-8	TAPPING SCREW 5X25	2	PC.
156			454344-4	DUST SUPPORT B	1	PC.
157			424557-1	DUST COVER	1	PC.
158			454759-5	HANDLE A	1	PC.
159			266041-8	TAPPING SCREW 5X25	4	PC.
160			454332-1	SWITCH LEVER A	1	PC.
161			234285-8	COMPRESSION SPRING 7	1	PC.
162			454327-4	SUB LEVER	1	PC.
163			268309-8	PIN	1	PC.
164			154626-1	SWITCH HOLDER COMPLETE	1	PC.
165			650678-5	SWITCH C3PA-1121	1	PC.
166			454760-0	HANDLE COVER	1	PC.
167			265995-6	TAPPING SCREW 4X18	1	PC.
168			257994-2	RETAINING RING(EXT)WR-44	1	PC.

Item No.	Sub	Ref	Part No.	Description	Qty	Unit
			<u>ACCESSORIES</u>			
			- See Catalogue or visit www.makita.ca for more accessories -			
A01			135283-4	SIDE HANDLE 90 ASSEMBLY (D-SHAPED)	1	PC.
		INC.	252640-2	WING NUT M8	1	PC.
		INC.	265439-6	HEX. BOLT M8X150	1	PC.
		INC.	318430-4	SIDE HANDLE BASE 90A	1	PC.
		INC.	318431-2	SIDE HANDLE BASE 90B	1	PC.
		INC.	417002-3	SIDE HANDLE CAM	2	PC.
		INC.	417003-1	SIDE HANDLE	1	PC.
		INC.	951166-8	SPRING PIN 5-24	1	PC.
A02			135629-4	GRIP 36 ASSEMBLY (STRAIGHT)	1	PC.
		INC.	158131-0	GRIP 36 COMPLETE	1	PC.
		INC.	234226-4	COMPRESSION SPRING 6	1	PC.
		INC.	266163-4	CUP SQUARE NECK BOLT M8X80	1	PC.
		INC.	313223-4	RACK GUIDE	1	PC.
		INC.	344492-6	PLATE	1	PC.
		INC.	346750-6	GRIP SPRING 90	1	PC.
		INC.	453114-8	LOCK BUTTON	1	PC.
		INC.	454781-2	SIDE GRIP BASE 90	1	PC.
A03			194683-7	GREASE VESSEL SET	1	PC.
A04	1		142296-8	PLASTIC CARRYING CASE COMPLETE	1	PC.
		INC.	162271-8	LATCH	2	PC.
		INC.	801Y02-7	INDICATION LABEL	1	PC.
A06			331955-1	DEPTH GAUGE	1	PC.
A07			443122-7	CLOTH	1	PC.
A08			196858-4	DUST EXTRACTOR ATTACHMENT SET	1	PC.
A09	1		196865-7	HAMMER SERVICE KIT	1	PC.
	2		191K75-7	HAMMER SERVICE KIT	1	PC.
		INC.	195845-0	* CARBON BRUSH CB-175 2PC/SET W/ ORIGIN	1	SET
		INC.	286292-7	* TOOL HOLDER CAP	1	PC.
		INC.	213780-1	* FLUORIDE RING 32.5	3	PC.
		INC.	213811-6	* O RING 26.5	3	PC.
		INC.	213781-9	* O RING 33	1	PC.
		INC.	213782-7	* O RING 30	1	PC.
		INC.	A-90582	* HAMMER GREASE	4	PC.
A10	1		196571-4	DUST EXTRACTOR ATTACHMENT SET	1	PC.
	2		199019-5	DUST EXTRACTOR ATTACHMENT SET	1	PC.

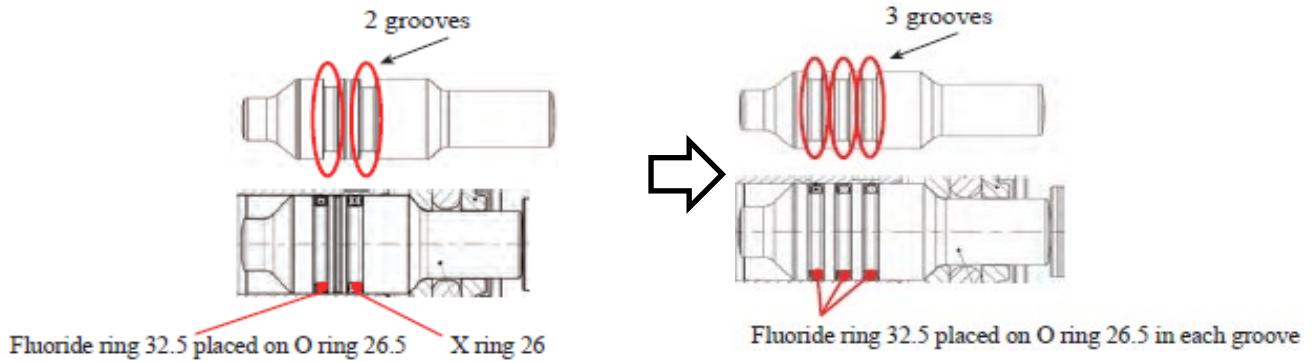
SERVICE CHANGES

1. Changes on Impact bolt section

(T/I# C6156)

Item No.	Description	Type 1	Type 2
36	Impact bolt	326374-4	327245-8
35	X Ring 26	213776-2	----
33	O Ring	213811-6 (1 pc.)	213811-6 (3 pc.)
34	Fluoride ring	213780-1 (1 pc.)	213780-1 (3 pc.)
A09	Hammer Service Kit	196865-7	191K75-7

Above parts are interchangeable as a set



2. Changes on Holder and Pipe

(T/I# D8102)

Item No.	Description	Type 1	Type 2
066	Holder 15 > Holder Com	454773-1	141E52-3
062	Pipe 21.5	332092-4	----

Above parts are interchangeable as a set

